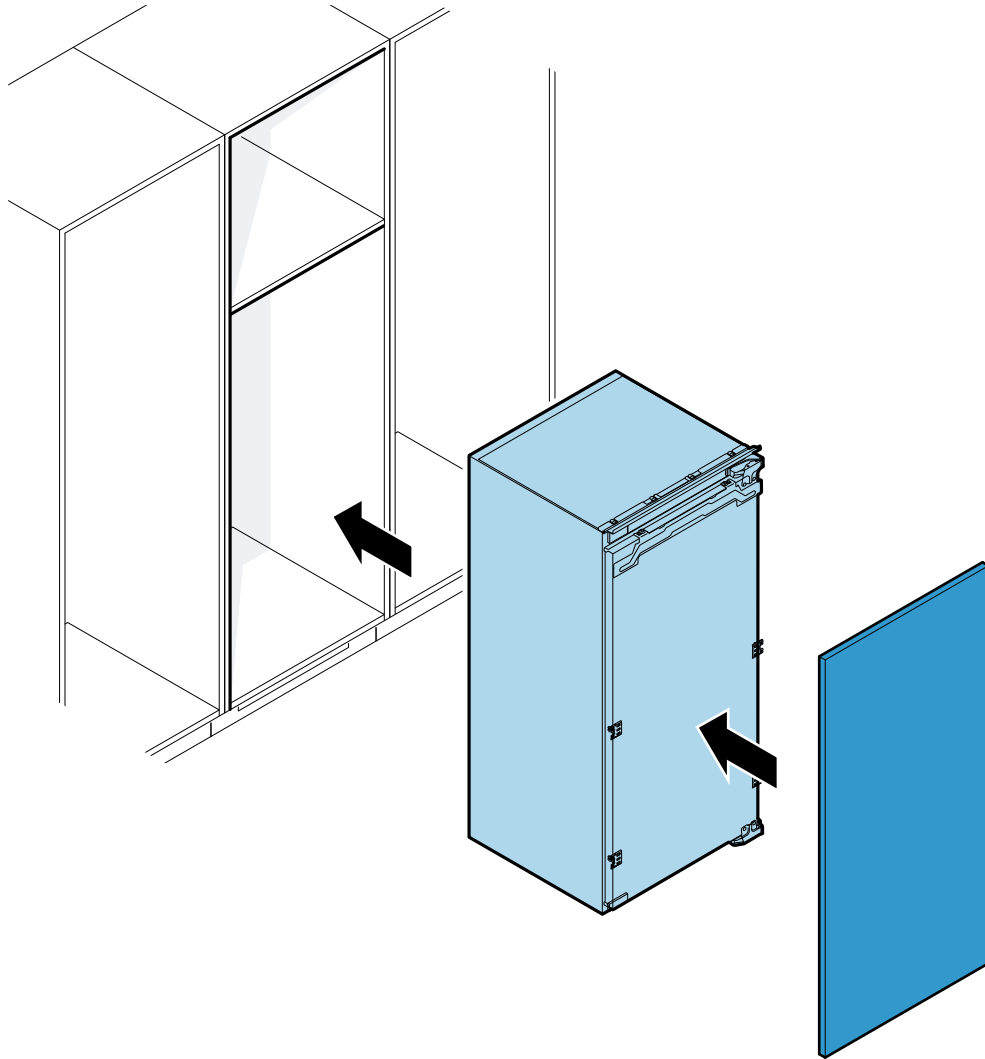
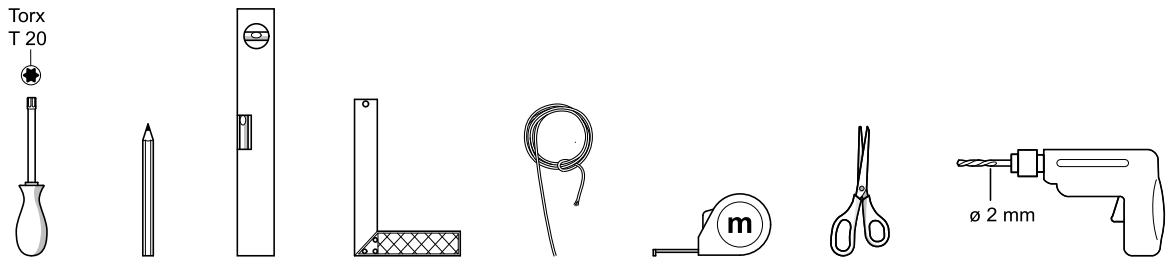
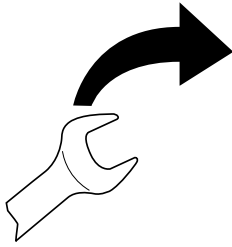
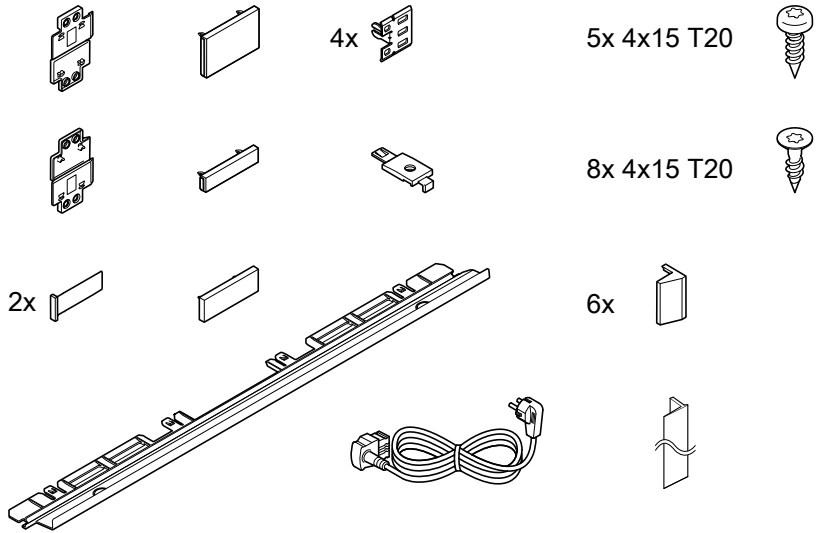
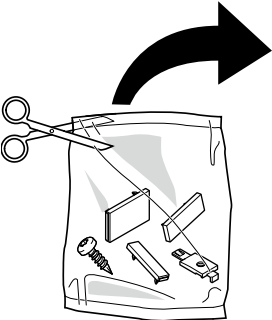


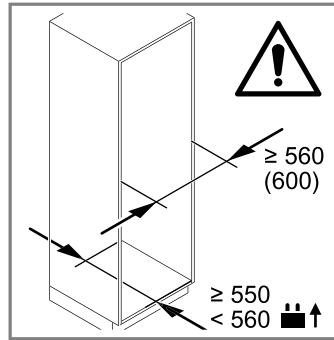
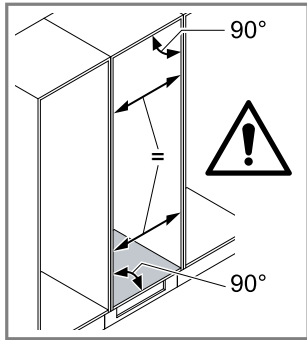
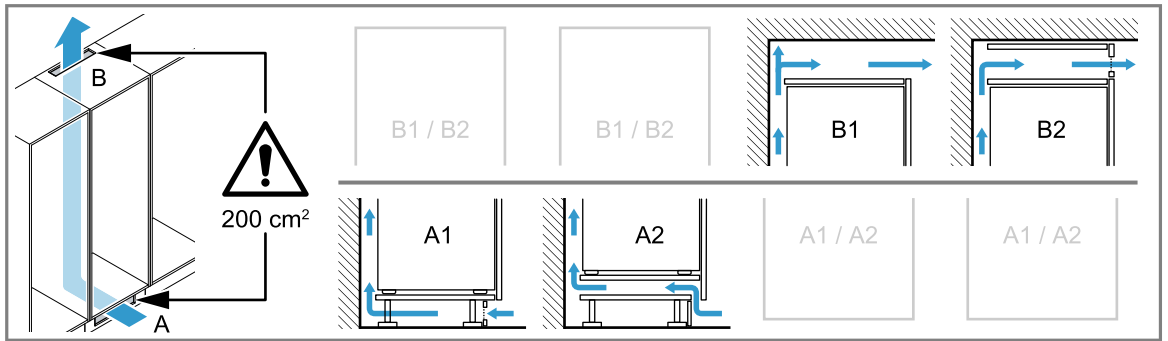
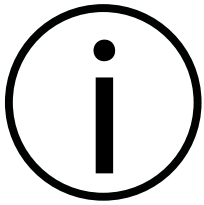
9001600878 (020421)

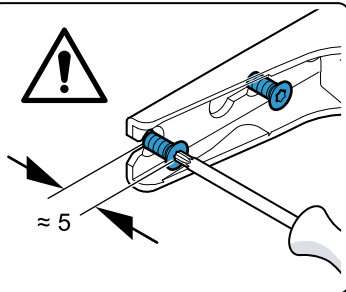
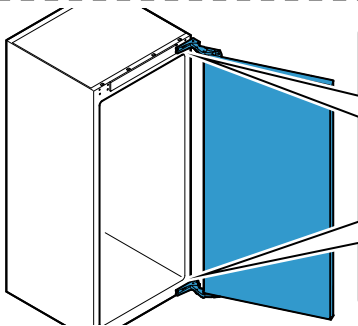
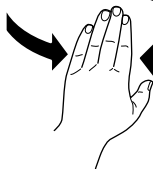
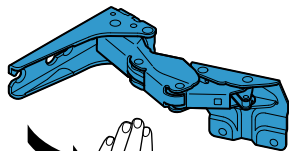
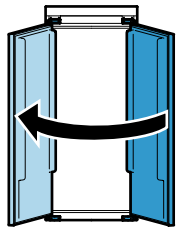


mm



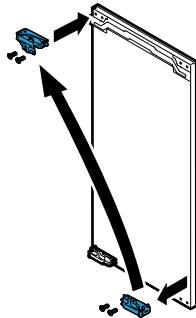
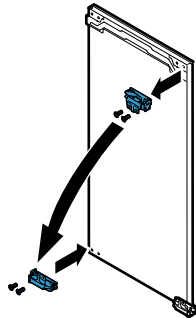
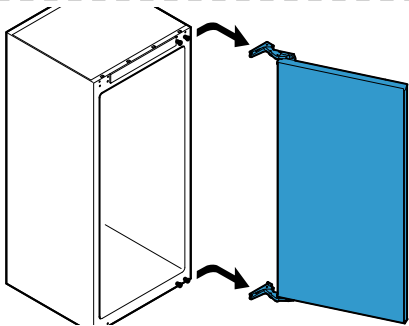
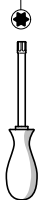


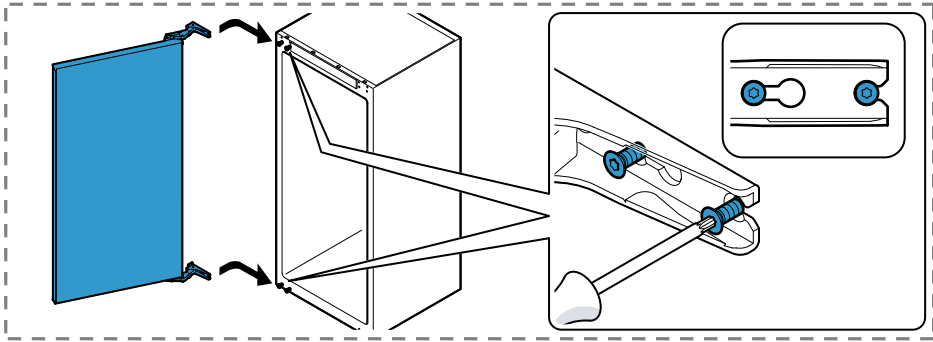
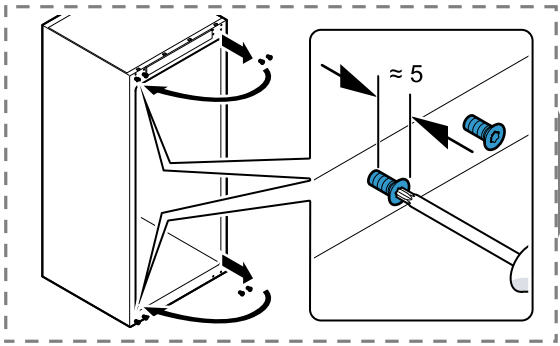




Torx

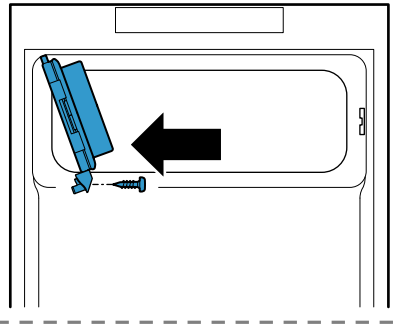
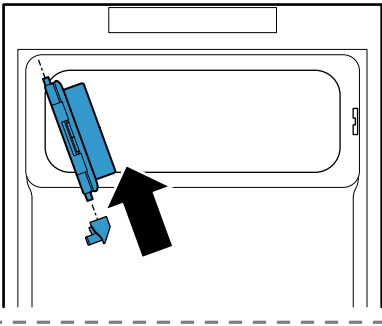
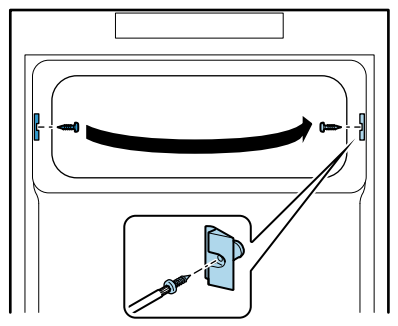
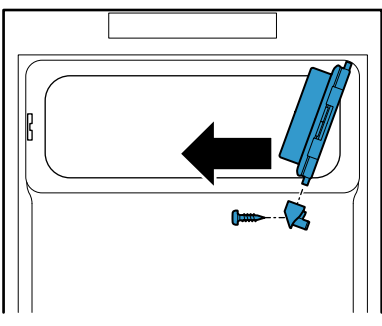
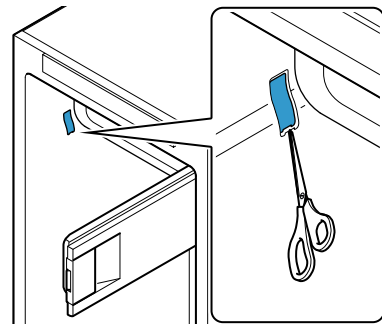
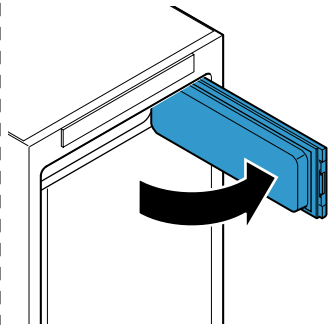
T 20



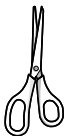


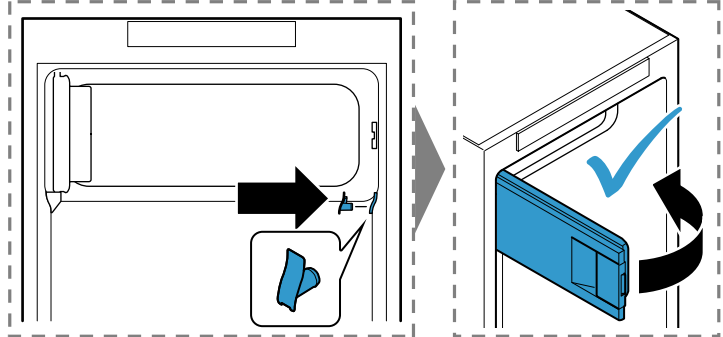
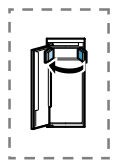
Torx
T 20

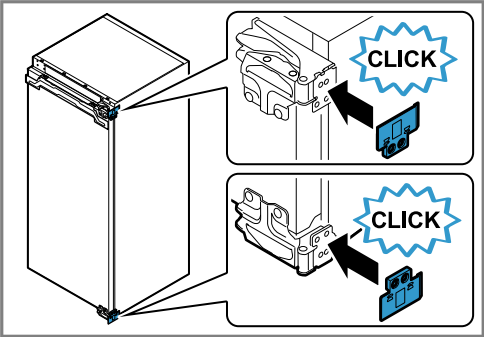
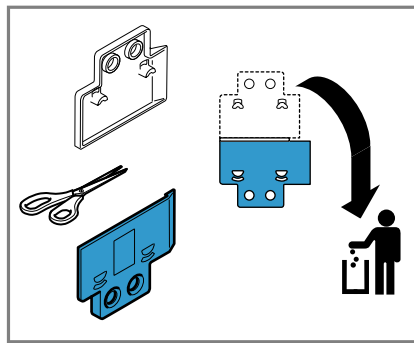
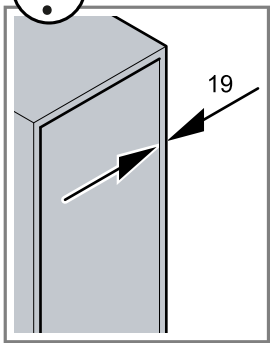
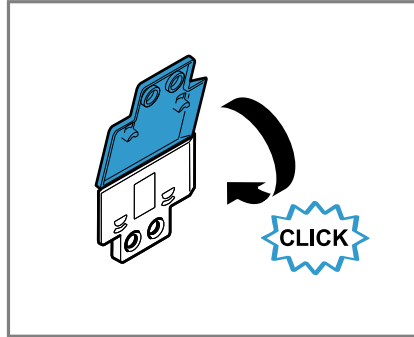
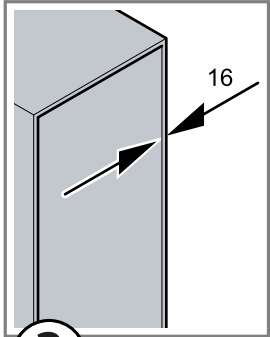
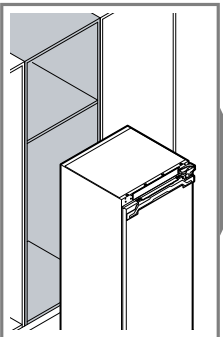
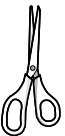




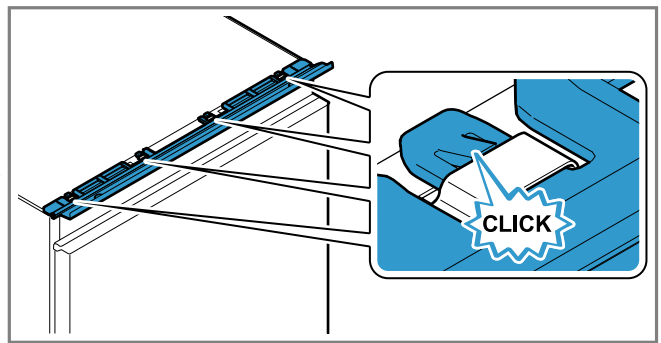
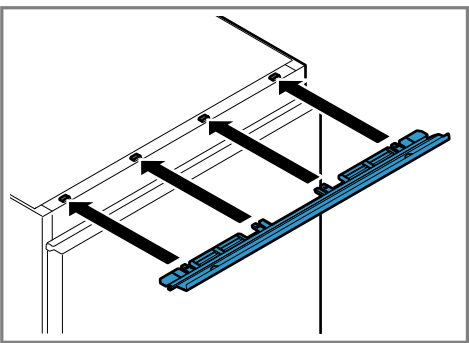
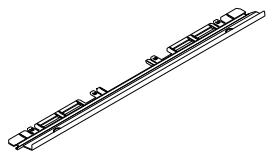
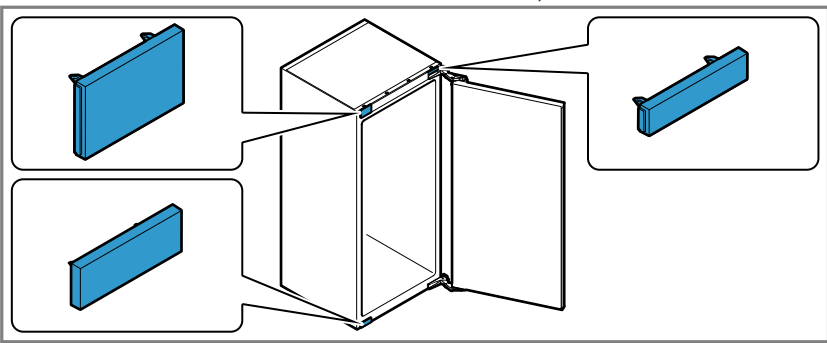
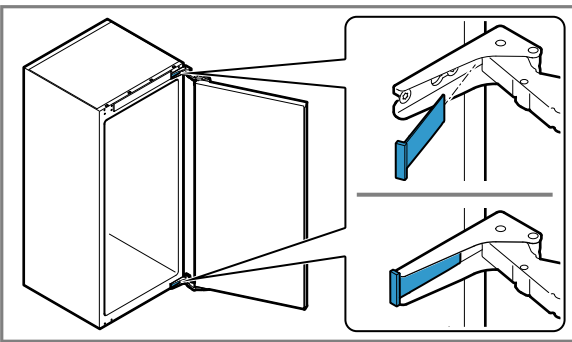
Torx
T 20



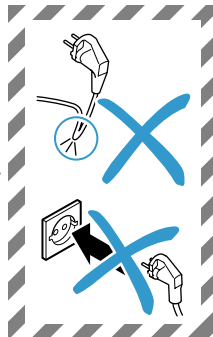
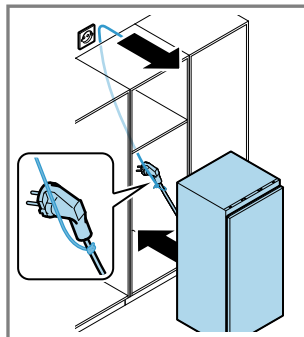
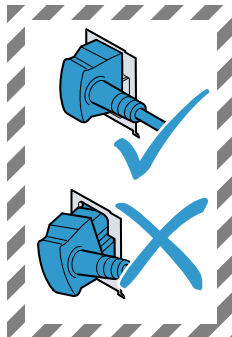
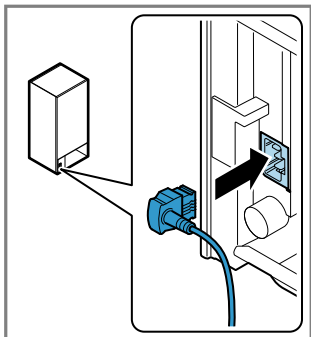
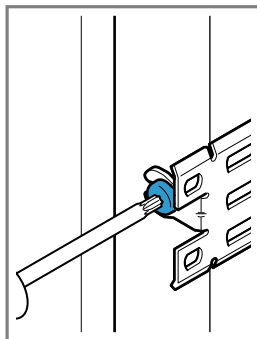
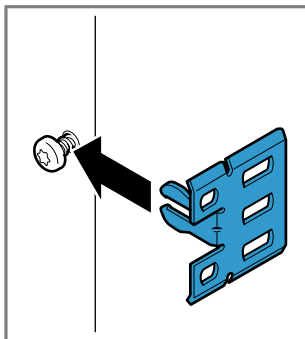
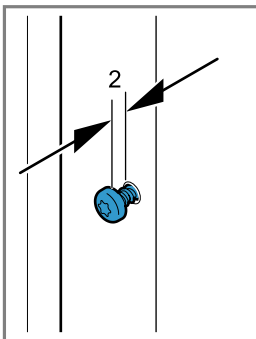
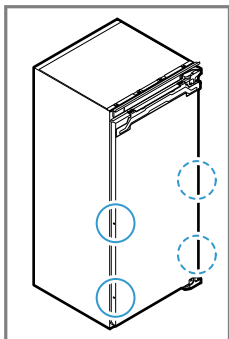
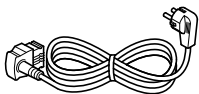




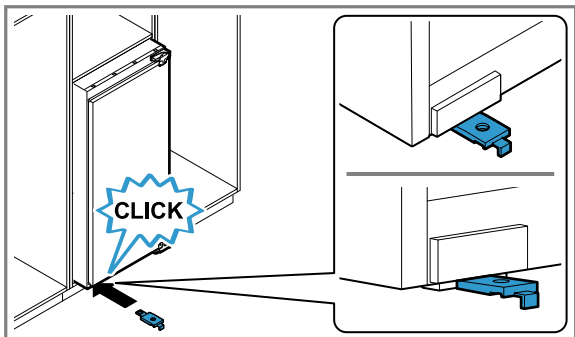
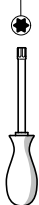
2x



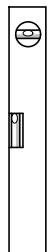
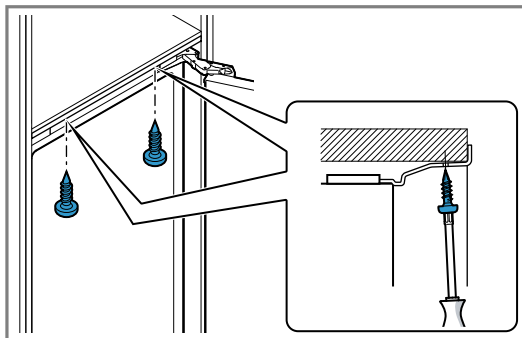
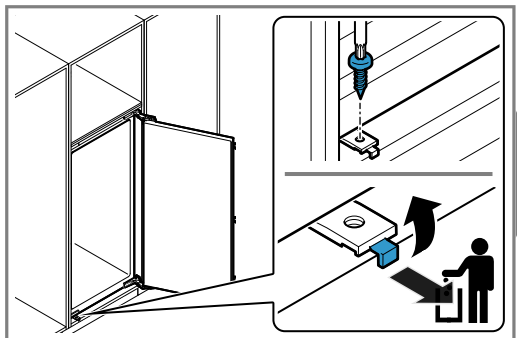
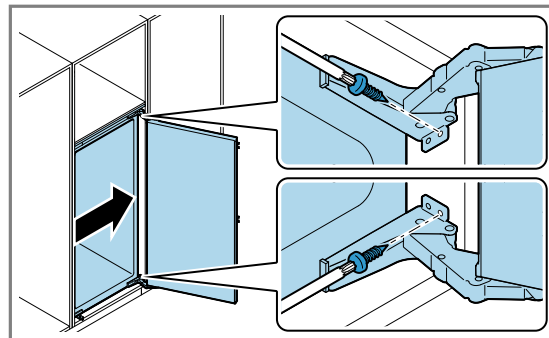
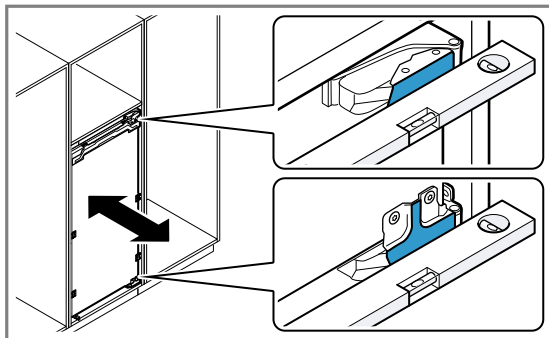
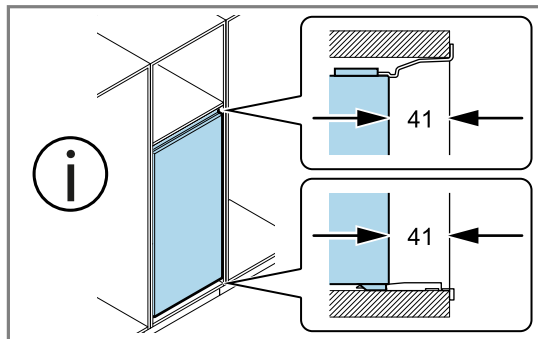
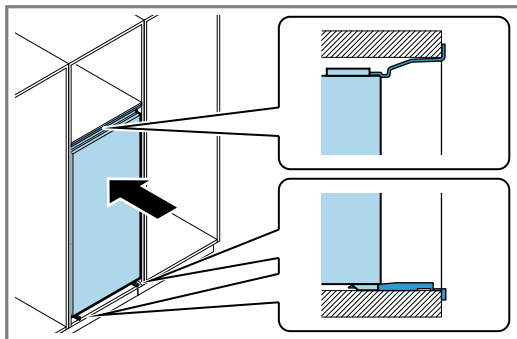
4x



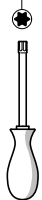
Torx
T 20

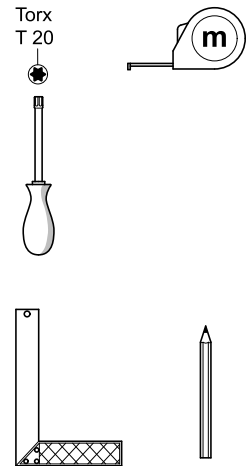
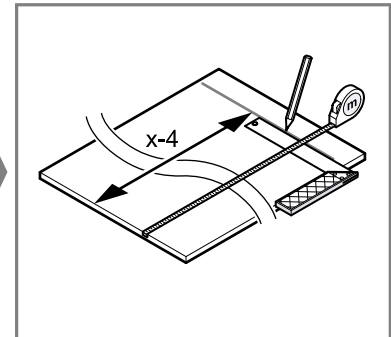
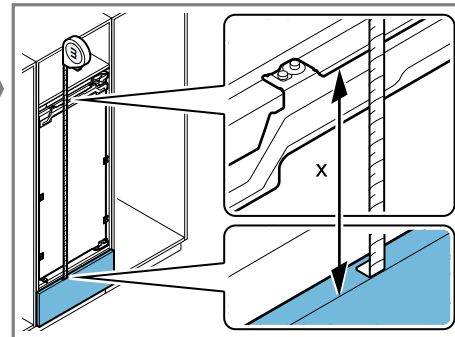
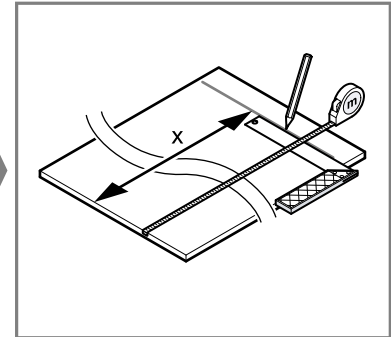
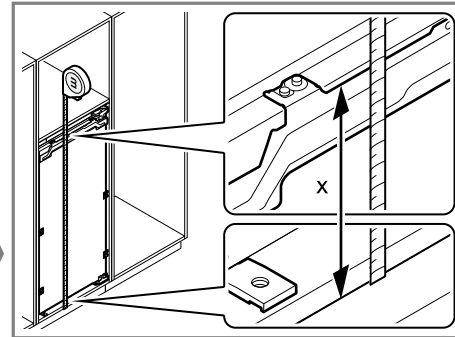
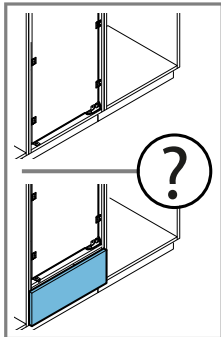
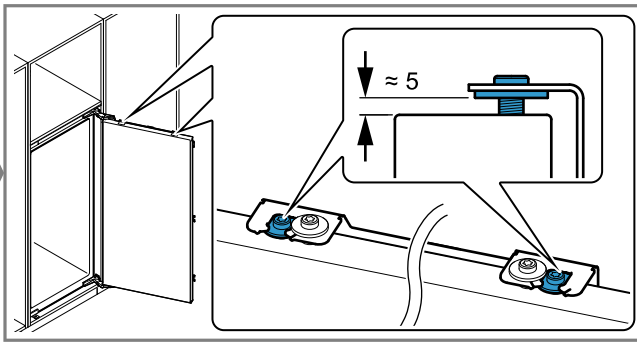
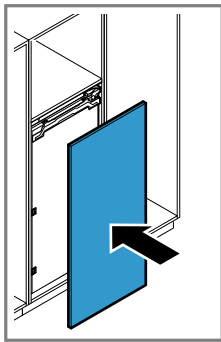


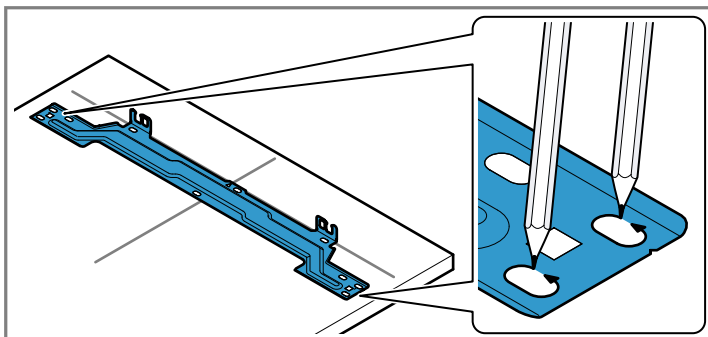
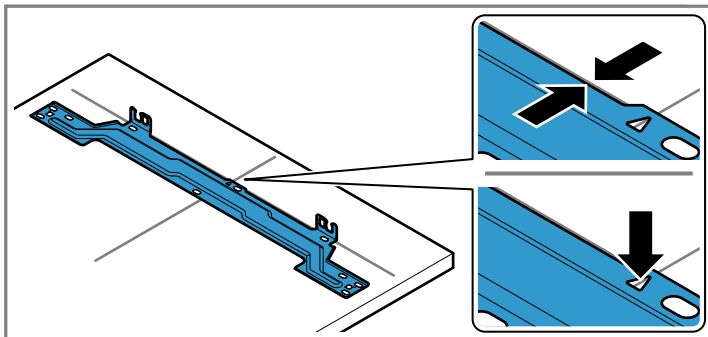
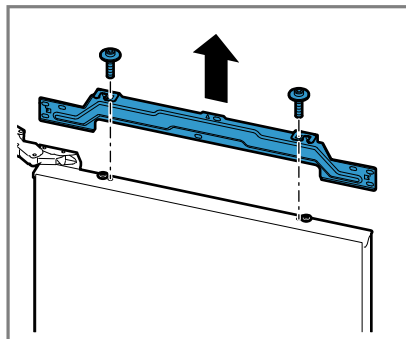
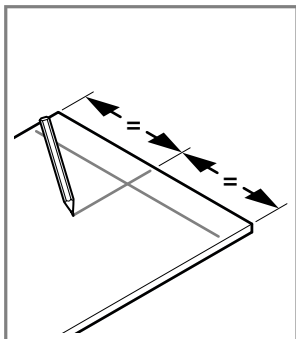
5x



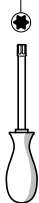
Torx
T 20



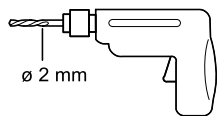
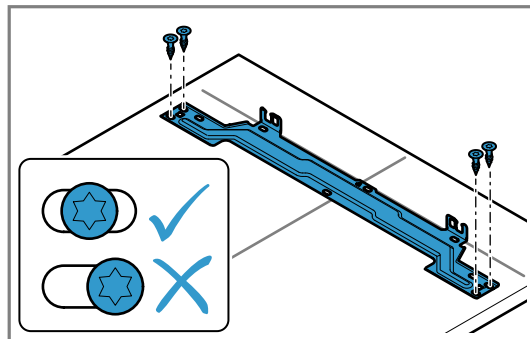
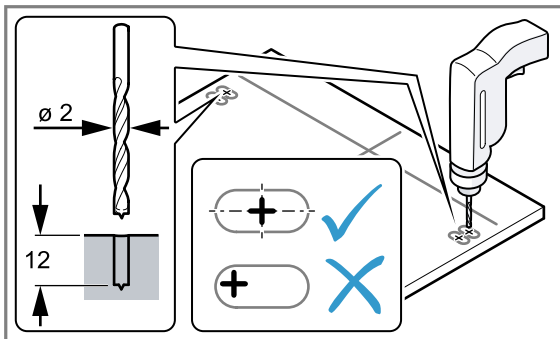




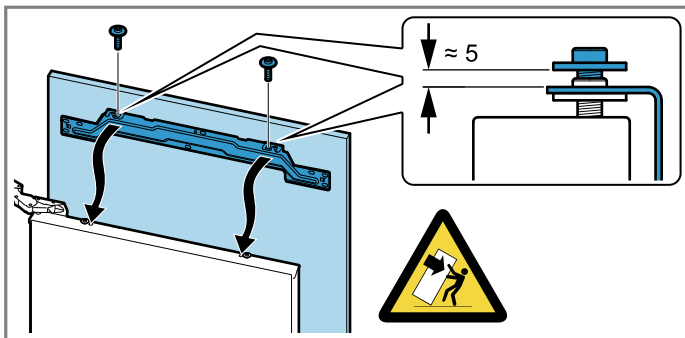
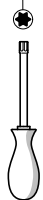
Torx
T 20

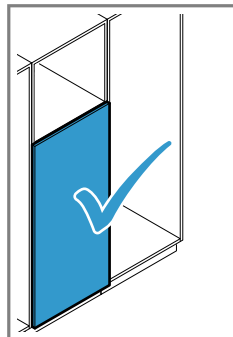
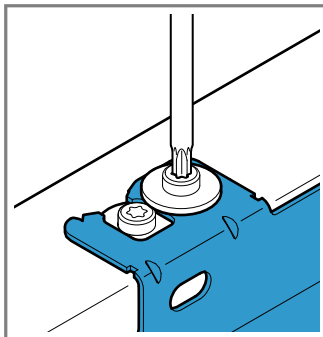
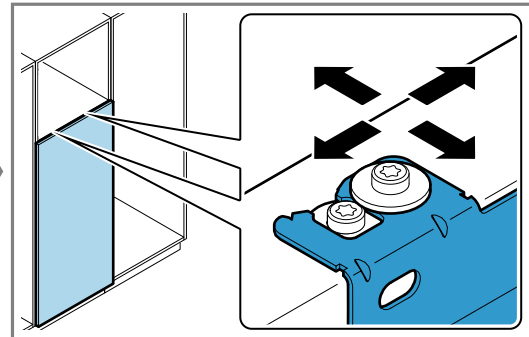
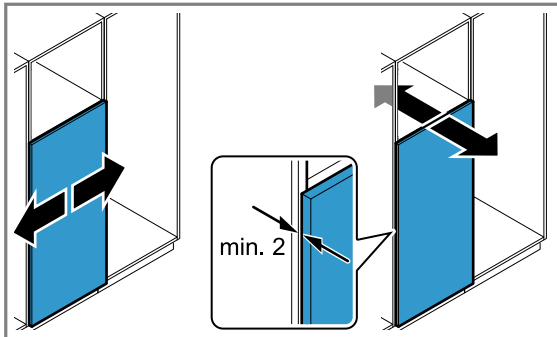
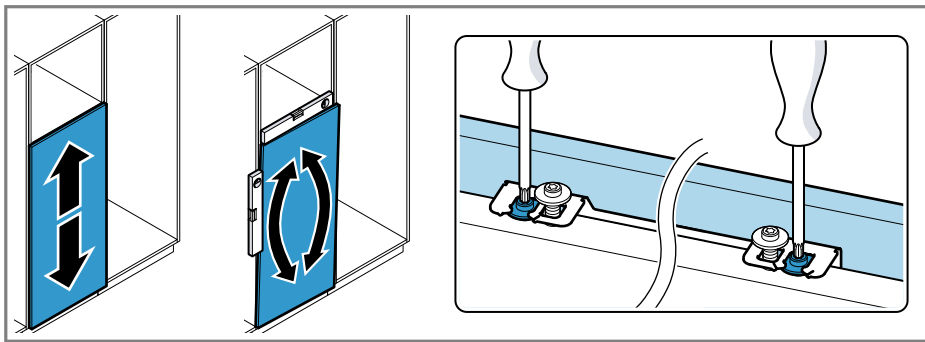


4x



Torx
T 20

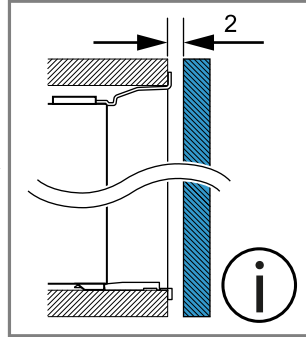
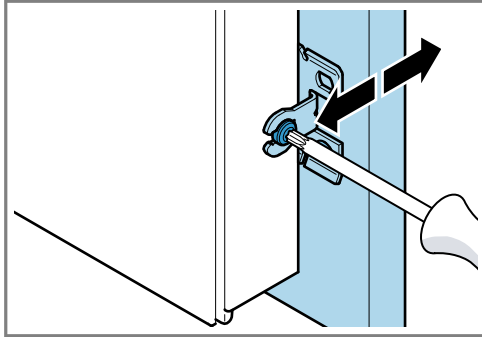
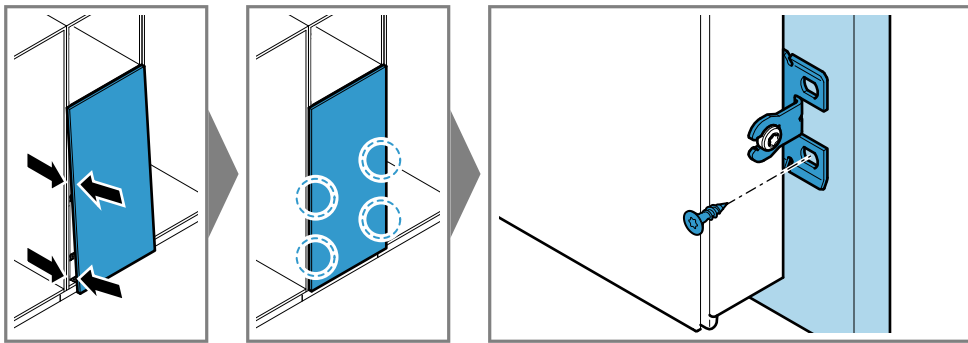




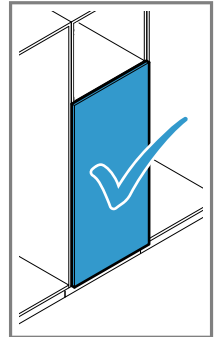
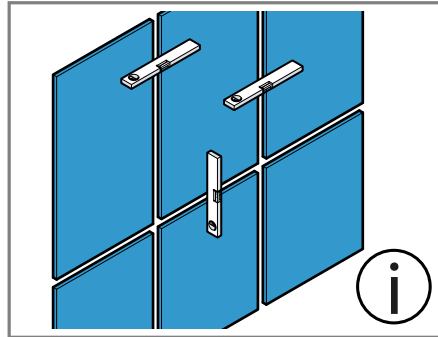
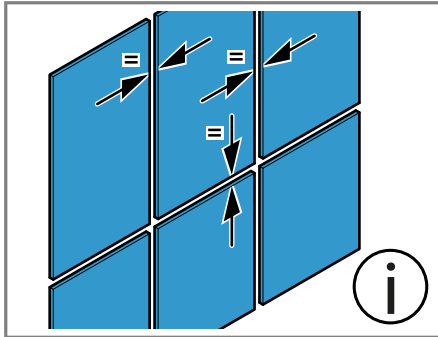
Torx
T 20

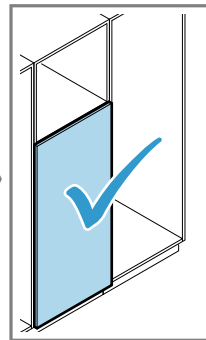
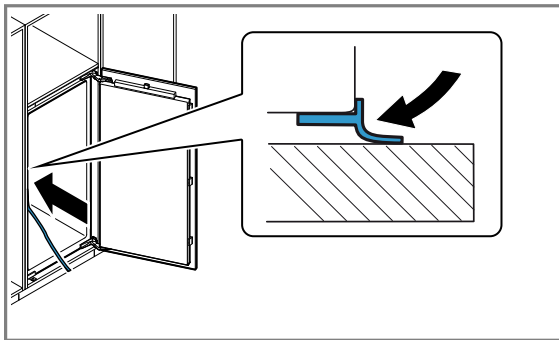
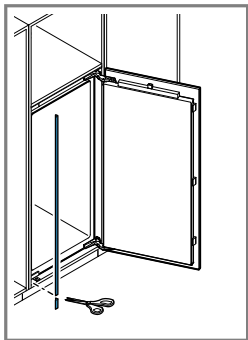
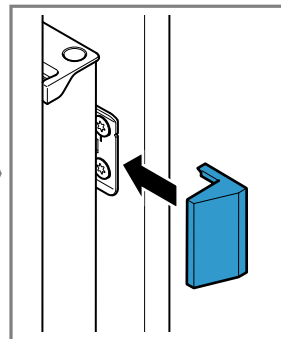
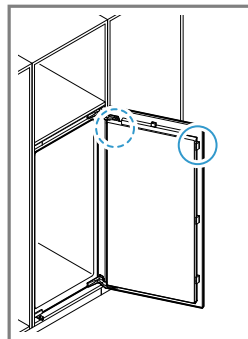
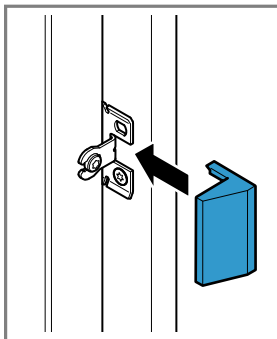
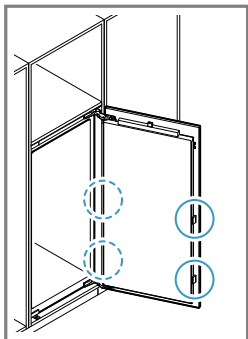
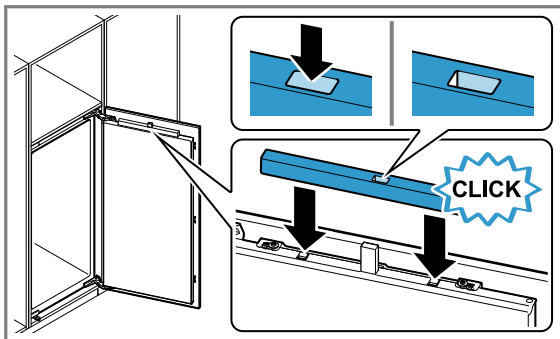
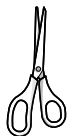
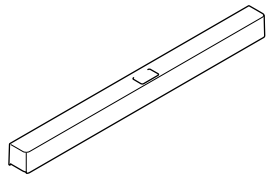


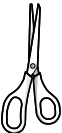
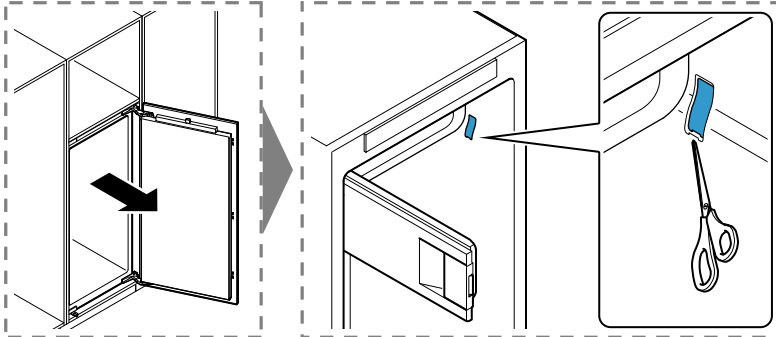
4x



Torx
T 20









A series of horizontal lines for writing, starting from a vertical margin line on the left and extending across the page.

